



PRINTRONIX®

GLOBAL PRINTING...ENABLED.

THE LASERLINE SERIES

The LaserLine series are rugged, high-speed laser printers specially built for industrial distribution centers, service bureaus and ERP environments.

LASERLINE L5520:

The L5520 cost-effectively prints the highest quality image on a wide variety of media such as plastic cards, pressure sensitive labels and synthetics. It combines FlashFusion™ technology with continuous form printing to produce high-resolution forms and features PSA2 architecture, with a printing speed of 20 pages per minute and a duty cycle of 200,000.



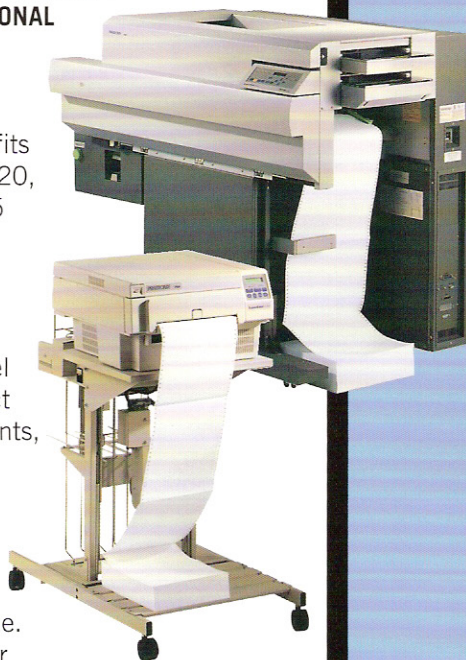
- **FLASH FUSION IMAGING SYSTEM ALLOWS PRINTING ON BOTH PLASTICS AND SYNTHETICS**
- **ABLE TO HANDLE FORMS FROM 7" TO 17.5" WIDE**
- **CHOOSE FROM OUR STANDARD PASSIVE PAPER STACKER OR THE OPTIONAL POWER PAPER STACKER**

LASERLINE L5535

The L5535 offers the same benefits as its companion model, the L5520, but with a printing speed of 35 pages per minutes and a duty cycle of 300,000.

THE L1524

Our powerhouse LaserLine model for the budget conscious. Perfect for mailing labels, billing statements, bar code labels and more. The L1524 can handle forms up to 10" wide and uses heat and pressure to perfectly print your image. Its compact size allows you to use it as a desktop machine. Or, place it in the optional power stacker for maximum functionality.



FEATURES AND BENEFITS

LaserLine printers excel in handling batch report, label and special forms applications

- **DESIGNED FOR HIGH PRODUCTION, LARGE CAPACITY PAPER SUPPLY AND OUTPUT STACKING**
- **PRECISION PIN FEED PROVIDES ACCURATE FORMS REGISTRATION**
- **UNIVERSAL CONNECTIVITY**
- **REMOTE CONFIGURATION AND MANAGEMENT WITH PRINTNET ENTERPRISE**
- **PRINTRONIX SYSTEM ARCHITECTURE (PSA2) FOR COMPATIBILITY WITH EXISTING APPLICATIONS**
- **ALL TOWER INTEGRATED IPDS SOLUTION FOR IBM AFP REQUIREMENTS**
- **AVAILABLE EMULATIONS INCLUDE PGL/VGL, PCL 5 AND WINDOWS DRIVERS**